

# TAKSTAR® 得胜



E126

扩音器

Voice Amplifier

使用手册 | User Manual

# E126 扩音器

---

## ■ 前言

尊敬的用户：

感谢您选购得胜E126扩音器，为了您能够更好地了解使用本产品，建议您在使用前仔细阅读本说明书。

若存在有疑问或者您有宝贵的建议，可通过拨打得胜官方服务热线400 6828 333或微信扫描二维码关注得胜官方公众号与我们联系。



## ■ 产品特性

- 一款体积小巧轻便的MINI型扩音器；
- 采用稀土材质扬声器，重量轻、音质好、声音大；
- 数字扩音技术，8W大功率音频输出；
- 内置大容量锂电池，节能环保，使用时间约15小时；
- 支持AUX音频信号输入功能，可充当小音箱使用；
- 配备指示灯显示设计，实时了解扩音器工作状态；
- 具有肩挂及腰挂等多种佩戴方式，使用更方便；
- 产品依照人体工学原理设计，轻便小巧。

## ■ 适用范围

适用于教学、导游、培训、促销等场合扩音

# E126 扩音器

---

## ■ 标准配置

- 扩音器 1台
- 头戴麦克风 1个
- 背扣 1个
- 肩带 1条
- Type-C充电线 1条
- 说明书 1份

## ■ 技术参数

### 主机参数

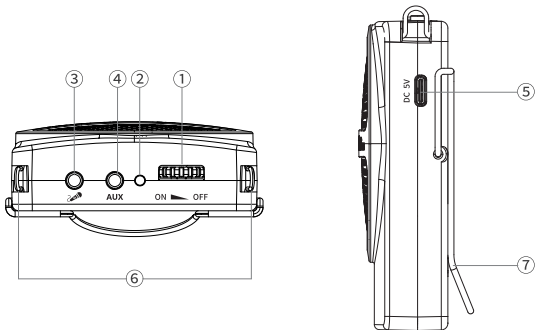
- 频率响应: 90Hz-12kHz
- 峰值功率: 8W
- 扬声器阻抗: 4Ω
- 总谐波失真:  $\text{THD} \leq 1\%$  1KHz@4R,4W
- 工作电压: 3.7V-4.2V
- 电池类型: 锂离子电池
- 电池容量: 3.7V/1500mAh
- 充电方式: DC 5V/1A
- 充电时间: 约1.5小时
- 使用时间: 约15小时
- 产品重量: 约113g
- 产品尺寸: 92mm\*72mm\*27mm

### 头戴麦克风参数

- 拾音器: 背极式驻极体
- 指向性: 单指向
- 频率响应: 60Hz-16KHz
- 灵敏度:  $-50\text{dB} \pm 3\text{dB}$   
( $0\text{dB}=1\text{V}/\text{Pa}$ , at 1KHz)

注: 以上数据由得胜实验室测试得到,并拥有最终解释权!

### ■ 功能示意



- ① 电源开关和音量调整旋钮：向“ON”方向拨动旋钮，听到“滴”一声，表示扩音器已通电，此时电源指示灯②亮蓝灯，继续向左拨动旋钮则声音增大，反之向“OFF”方向拨动旋钮则声音减小直至听到“滴”的一声关机。
- ② 电源指示灯：电量充足时，指示灯常亮蓝灯；低电状态时红蓝灯交替闪烁；充电时指示灯常亮红灯，充满电后恢复蓝灯常亮。
- ③ MIC输入插孔：将 $\phi 3.5\text{mm}$ 的麦克风插头插入此孔，进入扩音工作状态；操作时，请不要将麦克风的拾音面朝向扩音器的扬声器，以免产生啸叫。
- ④ AUX输入接口：通过 $\phi 3.5\text{mm}$ 音频线与手机、电脑、平板等播放设备连接，将扩音器作为小音箱使用。

# E126 扩音器

---

- ⑤ 充电输入插孔：通过Type-C充电线为扩音器充电；
- ⑥ 挂扣：用于安装肩带，可将扩音器斜挂于肩上使用；
- ⑦ 背扣：用于将扩音器扣于腰带或裤腰上使用。

## ■ 使用说明

### 一、使用方法

1. 将头戴麦克风正确佩戴在头部，并调整好麦克风的拾音角度；
2. 将 $\varnothing 3.5\text{mm}$ 的麦克风插头插入扩音器MIC输入插孔内；
3. 打开电源开关，电源指示灯亮蓝灯，调整音量旋钮到合适的音量；
4. 在使用过程中，若指示灯红蓝灯交替闪烁时，表示扩音器处于低电量状态，请及时充电。

提示：初次使用时，建议先充满电；当电池充满时，请停止对电池充电，避免电池过冲；如长时间不使用，需每半年充电一次，避免电池过放，并对电池性能产生影响。

## ■ 安全警示

为避免电击、高温、着火、辐射、爆炸、机械危险以及使用不当等可能造成的人身伤害或财产损失，使用本产品前，请仔细阅读并遵守以下事项：

1. 使用产品时请确认所连设备与本产品是否匹配以及合理调整音量大小，不要在超过产品功率及大音量下长时间使用，以免造成产品异常；
2. 使用中若发现有异常（如冒烟、异味等），请立即关闭电源开关并拔掉电源插头，然后将产品送售后服务网点检修；
3. 消费者若使用电源适配器供电，则应购买配套使用获得CCC认证并满足标准要求电源适配器；
4. 本产品及配件都应放置在室内干燥通风处，请勿长期存放在潮湿、灰尘多的环境，使用中避免靠近火源、雨淋、进水、过度碰撞、抛掷、振动本机及覆盖通风孔，以免损坏其功能；
5. 若产品需要固定于墙壁或天花板时，请确保固定到位，防止因固定强度不足导致产品发生跌落危险；
6. 使用该产品时需遵守相关安全规定，法律法规明确禁止使用场合请勿使用本产品，以免导致意外事故；
7. 请不要自行拆机改装或维修，以防止出现人身伤害，如有问题或服务需求请联系当地售后服务网点跟进处理。

## ■ 关于图标含义解释



此符号表示，根据WEEE指令(2012/19/EU)和国家法律，由于这种类型的废弃物会有潜在的有害物质，可能对环境 and 人类健康产生负面影响，所以本产品不应与您的家庭垃圾一起处置，应将本产品交由授权的电气和电子设备（WEEE）回收站回收。同时，您在正确处理本产品的同时将有助于自然资源的有效利用。如需了解更多有关您可以在何处放置废物回收设备的信息，请联系您当地的城市办事处、废物管理局或家庭废物处理服务部门。

## ■ 环保说明

产品中有害物质或元素的名称及含量标识表


部件名称	有毒有害物质或元素					
	铅 (Pb)	汞 (Hg)	镉 (Cd)	六价铬 (Cr(VI))	多溴联苯 (PBB)	多溴二苯醚 (PBDE)
塑料部件	○	○	○	○	○	○
金属部件	×	○	○	○	○	○
电路板组件	×	○	○	○	○	○
线缆	×	○	○	○	○	○

本表格依据SJ/T 11364的规定编制

○: 表示该有害物质在该部件所有均质材料中的含量均在GB/T 26572规定的限量要求以下。

×: 表示该有害物质至少在该部件的某一均质材料中的含量超出GB/T 26572规定的限量要求。

此标志为产品的环保使用期限标志,  
且此环保使用期限只适用于产品正常工作的温度和湿度等条件。



## ■ 关于本说明书

本说明书中内容符合截止印刷之日的技术规格。由于得胜公司会不断改进产品, 本说明书可能不符合您的特定产品的技术规格。要获取最新版说明书, 请访问得胜官网, 然后下载说明书文件。技术规格、设备或另售的附件在各个地区可能有所不同, 如有问题请与当地得胜销售网点确认。如需更多支持和深层产品信息, 请浏览得胜官方网站: <https://www.takstar.com>

版权所有 ©2024 得胜。得胜、TAKSTAR及其各自标志是广东得胜电子有限公司在中国和/或其他国家/地区的注册商标或商标。所有其它商标均是其各自所有者的财产。

## ■ Preface

Dear Customer,

Thank you for purchasing Takstar E126 Voice Amplifier. To better understand and use the product, please read this manual thoroughly. If you have any questions or suggestions, please contact our local sales outlet.

## ■ Features

- Compact and lightweight mini portable voice amplifier.
- Rare earth speaker for lightweight design, excellent sound, and powerful volume.
- Digital amplification technology for high-power 8W audio output.
- Large capacity li-ion battery for efficient 15-hour use.
- Supports AUX input to function as a small speaker.
- Indicator lights for real-time amplifier status updates.
- Versatile wearing options with shoulder strap and waist clip.
- Ergonomic design, compact and portable.

## ■ Applications

Teaching, tour guide, training, promotion

# E126 Voice Amplifier

---

## ■ Package Contents

1 × Voice Amplifier	1 × Headset Microphone	1 × Waist Strap Clip
1 × Should Strap	1 × Type-C Charging Cable	1 × User Manual

## ■ Specifications

### Voice Amplifier

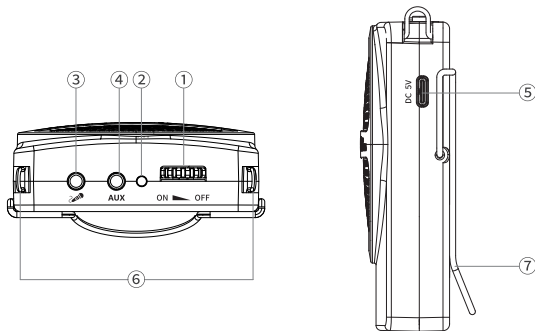
- Frequency Response: 90Hz-12kHz
- Peak Power: 8W
- Speaker Impedance: 4Ω
- THD: THD $\leq$ 1% 1KHz@4R,4W
- Operating Voltage: 3.7V-4.2V
- Battery Type: Li-ion battery
- Battery Capacity: 3.7V/1500mAh
- Charging: DC 5V/1A
- Charging Time: approx. 1.5h
- Operation Time: approx. 15h
- Weight: approx. 113g
- Dimensions: 92mm\*72mm\*27mm

### Headset Microphone

- Cartridge: back electret cartridge
- Polar Pattern: unidirectional
- Frequency Response: 60Hz-16KHz
- Sensitivity: -50dB $\pm$ 3dB (0dB=1V/Pa, at 1KHz)

Note: The above data are measured by Takstar laboratory which has the final interpretation right!

## ■ Function Descriptions



- ① Power switch & volume control knob: Turn the power switch towards the "ON" direction till you hear the sound "da", indicating that the amplifier is turned on, and the power LED lights up blue. The volume increases when you continue to turn the power switch towards the "ON" direction. The volume decreases when you turn the power switch towards the "OFF" direction, and when you hear the sound "da", it means the amplifier is turned off.
- ② Power LED: Illuminates blue if sufficient power, flashes red and blue alternately if low power, illuminates red while charging, and turns solid blue when fully charged.

## E126 Voice Amplifier

---

- ③ MIC jack: Insert the ø3.5mm microphone plug into the MIC jack for sound reinforcement. Please do not face the cartridge of the microphone to the loudspeaker of the amplifier to avoid howling.
- ④ AUX input port: Connect using a Ø3.5mm audio cable to smartphones, computers, tablets, etc., to use the amplifier as a speaker.
- ⑤ Charging jack: Charge the amplifier via the Type-C charging cable.
- ⑥ Shoulder strap buckle: It is used to install the shoulder strap, and the amplifier can be hung diagonally on the shoulder for use.
- ⑦ Waist strap clip: It is used to buckle the amplifier on the belt or the waistband for use.

## ■ Operating Instructions

### Usage Instructions

1. Properly wear the headset mic on the head and adjust the mic pickup angle.
2. Insert the ø3.5mm mic plug into the MIC input jack on the amplifier.
3. Turn on the power switch. The power indicator will light up blue. Adjust the volume knob to the desired level.
4. During use, if the indicator light flashes red and blue alternately, it indicates low battery. Please recharge promptly.

Note: It is recommended to fully charge the device before first use. Once the battery is fully charged, please stop charging to avoid overcharging. If not in use for a long time, it is recommended to charge the battery every six months to prevent battery depletion and maintain battery performance.

### ■ Safety Instructions

To avoid electric shock, overheat, fire, radiation, explosion, mechanical risk and injury or property loss due to improper use, please read and observe the following items before use:

1. Please check if the power of the connected equipment matches with that of this product before operation. Adjust the volume to proper level during operation. Do not operate at over-power or high-volume level for extended time to avoid product malfunction.
2. If there is any abnormality during use (e.g., smoke, strange odor), please kill the power switch and unplug from power source, then send the product to the local after-sales service for repair.
3. When using replaceable batteries, do not use batteries with damaged insulation on the casing. Do not attempt to charge non-rechargeable batteries.
4. Keep this product and its accessories in a dry and ventilated area. Do not store in a humid or dusty area for extended time. Keep away from fire, rain, liquid intrusion, bumping, throwing, vibrating, or from blocking any ventilation openings, to prevent malfunction.
5. The product must, when installed on walls or ceilings, be fixed firmly in place at adequate strength to prevent from falling.
6. Please abide by safety rules during operation. Do not use the product in places prohibited by laws or regulations to avoid accident.
7. Do not disassemble or repair the product by yourself to avoid injury. If you have any questions or require any services, please contact our local after-sales service.

## ■ Label Meanings



This symbol indicates that this product should not be disposed of with your household waste, according to the WEEE directive (2012/19/EU) and your national law. This product should be handed over to an authorized collection site for recycling waste electrical and electronic equipment (WEEE). Improper handling of this type of waste could have a possible negative impact on the environment and human health due to potentially hazardous substances that are generally associated with WEEE. At the same time, your cooperation in the correct disposal of this product will contribute to the effective usage of natural resources. For more information about where you can drop off your waste equipment for recycling, please contact your local city office, waste authority, or your household waste disposal service.

## ■ About This Manual

This manual contains up-to-date technical specifications as of printing. However, specifications contained herein may not conform to your particular product since Takstar is constantly improving its products. Also, specifications, devices or accessories available may vary from region to region. If you have any questions, please contact our local sales outlet. For the latest version/more information, please visit our website: <https://www.takstar.com/>

Copyright ©2024 TAKSTAR. TAKSTAR, 得胜 and their respective logos are registered trademarks or trademarks of Guangdong Takstar Electronic Co., Ltd. in the PRC, and/or other countries. All other trademarks are the property of their respective owners.

## 注意事项:

1. 本单为保修凭证, 请用户妥善保管, 如有遗失, 恕不保修或退换。
2. 保修期限制: 购买之日起十二个月内。
3. 除了不可抗力事件损坏外, 由本公司负责, 免费维修。
4. 如属保管不善或使用不当造成的损坏, 维修点将酌情收费。
5. 擅自拆卸维修者, 不予保修。
6. 以上保修条款仅限于中国市场适用 (不含港澳台地区)。

# 产品服务保证书

姓名: \_\_\_\_\_ 电话: \_\_\_\_\_ 地址: \_\_\_\_\_

商品: \_\_\_\_\_ 型号: \_\_\_\_\_ 购买日期: \_\_\_\_\_ 年 \_\_\_\_ 月 \_\_\_\_ 日

维修记录栏 (由维修员填写)	维修员签名	日期

◆ 广东得胜电子有限公司 ◆ 电话: 400-6828-333 ◆ 地址: 广东省惠州市博罗县龙溪街道富康一路2号



扫一扫,了解更多产品  
Scan for more  
product information

## 广东省电声工程技术研究开发中心 广东得胜电子有限公司制造

地址:广东省惠州市博罗县龙溪街道富康一路2号

服务热线:400 6828 333 传真:0752 6383950

邮箱:xs@takstar.com

网址:www.takstar.com

### **Designed & Manufactured by:**

Guangdong Takstar Electronic Co., Ltd.

Address: No.2 Fu Kang Yi Rd., Longxi Boluo  
Huizhou, Guangdong 516121 China

Tel: 86 752 6383644 Fax: 86 752 6383952

Email: sales@takstar.com

Website: www.takstar.com